

THIS DRAWING IS UNPUBLISHED.

RELEASED FOR PUBLICATION

20

LOC

DIST

REVISIONS

© COPYRIGHT 20 BY -

ALL RIGHTS RESERVED.

DY

-

P

LTR

DESCRIPTION

DATE

DWN

APVD

E4

ADD new p/n with width cavity

15APR15

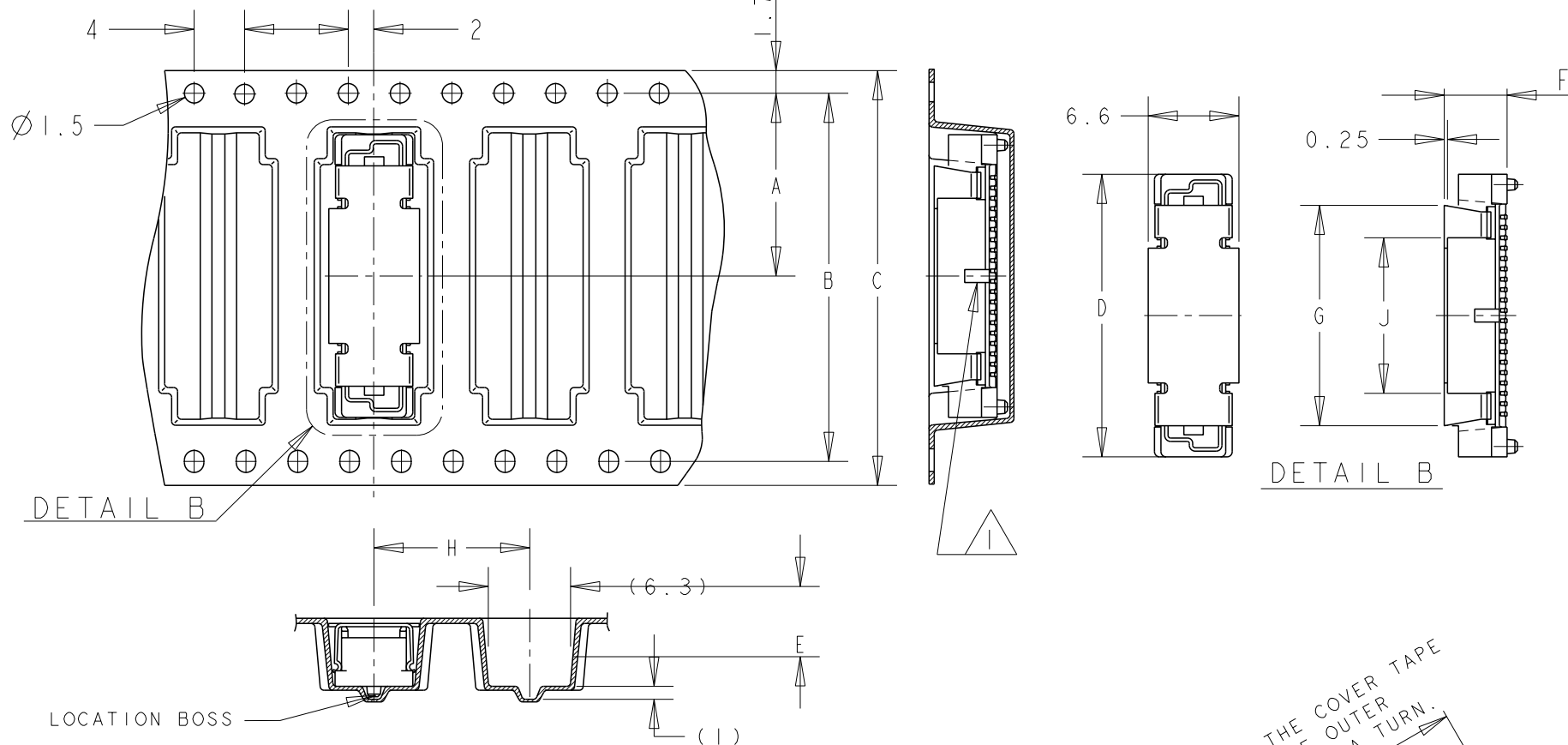
I.T.W.H

Notes:

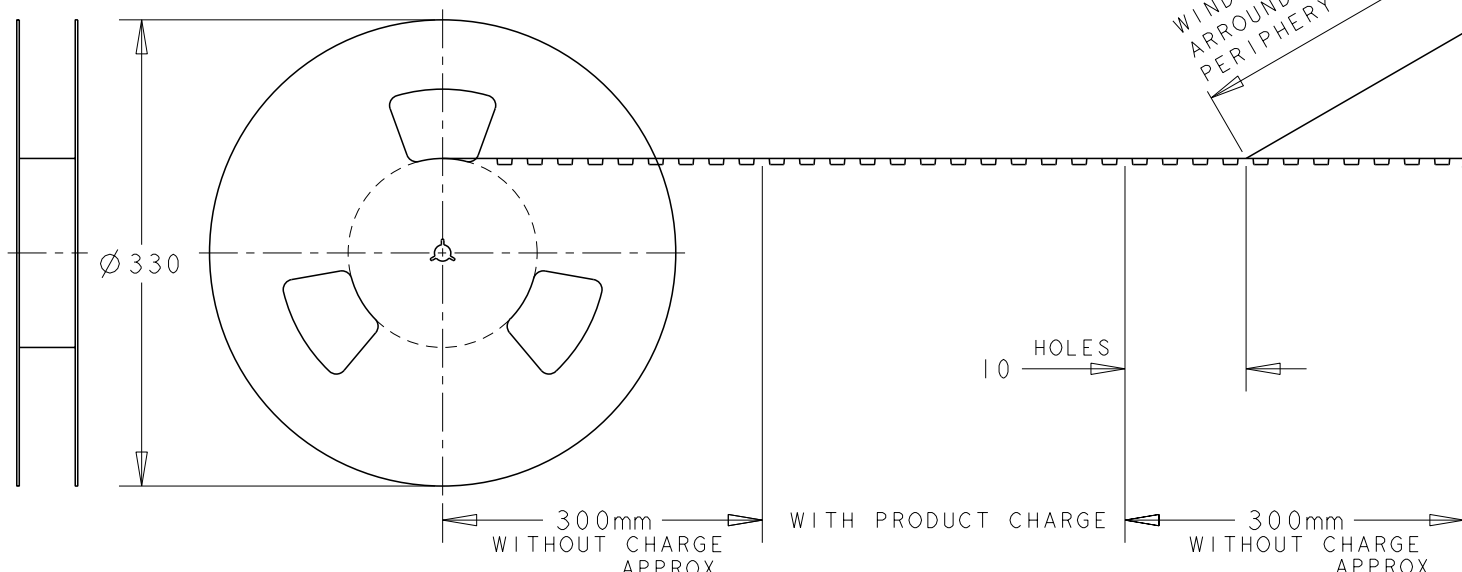
- 1 CUTOUT FEATURE AVAILABLE ONLY ON 5H ASSY P/N -1 (40P) AND -2 (60P).
- 2 0.00038 MIN GOLD PLATING (15u INCHES GOLD PLATING)
- 3 CONNECTOR DIMENSIONS REFERENCED FROM DRAWING WHICH CONN. P/Ns BASED

HALOGEN FREE

DIRECTION OFF TOP OF REEL



REMARKS	QTY	HEIGHT TYPE	J	H	G	F	E	D	C	B	A	POS	CONN. P/N REF. ONLY	SALEABLE PART NO.	0.00076 MIN GOLD PLATING (30u INCHES GOLD PLATING)									
															5H	7H	8H	900						
																61.8	88	84.4	42.2	140	1-	-6	7-	-6
																53.8				120	1-	-5	7-	-5
																45.8	72	68.4	34.2	100	1-	-4	7-	-4
																37.8	56	52.4	26.2	80	1-	-3	7-	-3
																29.8	44	40.4	20.2	60	1-	-2	7-	-2
																21.8	32	28.4	14.2	40	1-5179030-1	7-5177986-1		
																69.8				160		-8	6-	-8
																61.8	88	84.4	42.2	140		-6	6-	-6
																53.8				120		-5	6-	-5
																45.8	72	68.4	34.2	100		-4	6-	-4
																37.8	56	52.4	26.2	80		-3	6-	-3
																29.8	44	40.4	20.2	60		-2	6-	-2
																21.8	32	28.4	14.2	40	5084615-1	6-5177986-1		
																85.8	104	100.4	50.2	200	1-	-0	5-	-0
																69.8				160		-8	5-	-8
																61.8	88	84.4	42.2	140		-6	5-	-6
																53.8				120		-5	5-	-5
																45.8	72	68.4	34.2	100		-4	5-	-4
																37.8	56	52.4	26.2	80		-3	5-	-3
																29.8	44	40.4	20.2	60		-2	5-	-2
																21.8	32	28.4	14.2	40	5084614-1	5-5177986-1		
																85.8				200	1-	-0	4-	-0
																77.8	104	100.4	50.2	180		-9	3-	-9
																69.8				160		-8	3-	-8
																61.8	88	84.4	42.2	140		-6	3-	-6
																53.8				120		-5	3-	-5
																45.8	72	68.4	34.2	100		-4	3-	-4
																37.8	56	52.4	26.2	80		-3	3-	-3
																29.8	44	40.4	20.2	60		-2	3-	-2
																21.8	32	28.4	14.2	40	5179031-1	3-5177986-1		
																85.8				200	1-	-0	3-	-0
																77.8	104	100.4	50.2	180		-9	2-	-9
																69.8				160		-8	2-	-8
																61.8	88	84.4	42.2	140		-6	2-	-6
																53.8				120		-5	2-	-5
																45.8	72	68.4	34.2	100		-4	2-	-4
																37.8	56	52.4	26.2	80		-3	2-	-3
																29.8	44	40.4	20.2	60		-2	2-	-2
																21.8	32	28.4	14.2	40	5179030-1	2-5177986-1		
																85.8				200	1-	-0	3-	-0
																77.8	104	100.4	50.2	180		-9	2-	-9
																69.8				160		-8	2-	-8
																61.8	88	84.4	42.2	140		-6	2-	-6
																53.8				120		-5	2-	-5
																45.8	72	68.4	34.2	100		-4	2-	-4
																37.8	56	52.4	26.2	80		-3	2-	-3
																29.8	44	40.4	20.2	60		-2	2-	-2
																21.8	32	28.4	14.2	40	5179030-1	2-5177986-0		
																85.8				200	1-	-0	3-	-0
																77.8	104	100.4	50.2	180		-9	2-	-9
																69.8				160		-8	2-	-8
																61.8	88	84.4	42.2	140		-6	2-	-6
																53.8				120		-5	2-	-5
																45.8	72	68.4	34.2	100		-4	2-	-4
																37.8	56	52.4	26.2	80		-3	2-	-3
																29.8	44	40.4	20.2	60		-2	2-	-2
																21.8	32	28.4	14.2	40	5179029-1	1-5177986-1		
																69.8				160		-8		-8
																61.8	88	84.4	42.2	140		-6		-6
																53.8				120		-5		-5
																45.8	72	68.4	34.2	100		-4		-4
																37.8	56	52.4	26.2	80		-3		-3
																29.8	44	40.4	20.2	60		-2		-2
																21.8	32	28.4	14.2	40	5177984-1	5177986-1		



THIS DRAWING IS A CONTROLLED DOCUMENT.		DWN FLORENCE TAN 30AUG04		
DIMENSIONS: mm		CHK ERIC TNG		
TOLERANCES UNLESS OTHERWISE SPECIFIED:		APVD SE LEONG	NAME PLUG ASSEMBLY (0.5 BOSS LENGTH) FOR FH 0.8 B-T-B CONN. ON TAPING	
0 PLC ±-		PRODUCT SPEC 108-5390	SIZE A3	
1 PLC ±0.3		APPLICATION SPEC 114-5254	CAGE CODE 00779	DRAWING NO 5177986
2 PLC ±0.25		WEIGHT -	RESTRICTED TO -	
3 PLC ±0.2		CUSTOMER DRAWING		
4 PLC ANGLES ±- ±3°		SCALE 2:1		
FINISH -		SHEET 1 OF 1		
MATERIAL -		REV E4		